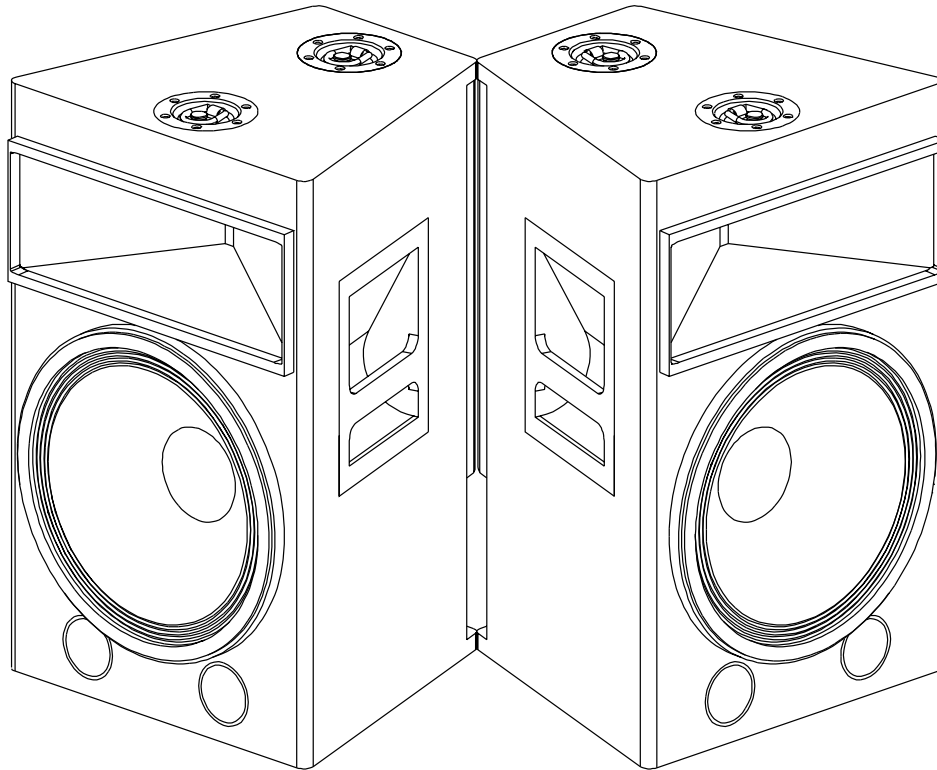




## (2) UPA-1P's @ 85° Horizontal Splay



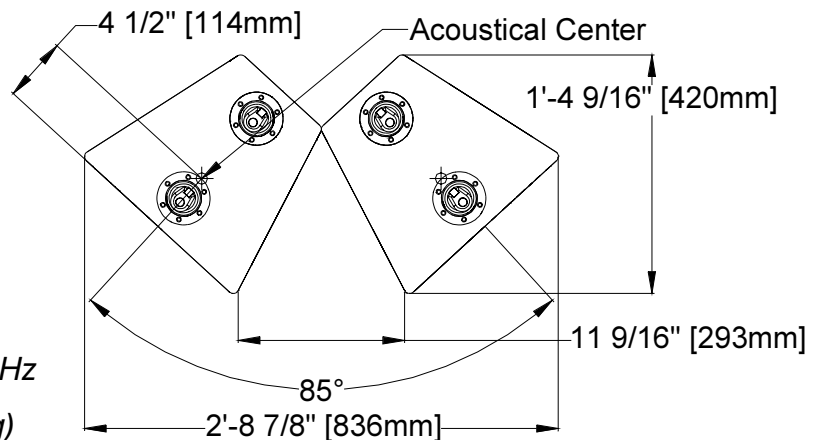
### Array Coverage and SPL

Coverage:

Vertical	40°
Horizontal	180°

Maximum SPL at 1 Meter:

Peak	133 dB
------	--------



### Base Specifications

Frequency Range (Free Field) 60 Hz to 18 kHz

Weight (Before Rigging) 154 lbs. (70 kg)

### Measurement Notes:

Frequency range constitutes the usable bandwidth after on-axis normalization. Coverage angles measured as the -6 dB (1/4 power) points from the normalized on-axis frequency response averaged over the band from 125 to 8k Hz. All measurements made at 4 meters in an anechoic chamber using the Multi-purpose Acoustic Prediction Program (M.A.P.P.)® at 1/36 octave bands and confirmed at 8 meters outside using pink noise and measured in 1/24 octave bands with SIM® System II.

**\*NOTE:** This configuration will produce a 3 dB boost below 600 Hz.

Date: 11.19.97	Doc #: 01.990.101.91	Rev.A
----------------	----------------------	-------



2832 San Pablo Ave  
Berkeley, CA 94702  
Phone: (510) 486-1166  
Fax: (510) 486-8356  
email: tech@msli.com